

SPECIFICATION FOR APPROVAL

(●) Preliminary Specification

() Final Specification

| | |
|-------|----------------------|
| Title | 55.0" QWUXGA IPS-LED |
|-------|----------------------|

| | |
|-------|-----|
| BUYER | CHN |
| MODEL | |

| | |
|--------|----------|
| *MODEL | LC550EGY |
|--------|----------|

| APPROVED BY | SIGNATURE DATE |
|-------------|----------------|
| / | _____ |
| / | _____ |
| / | _____ |

Please return 1 copy for your confirmation with your signature and comments.

| APPROVED BY | SIGNATURE DATE |
|--------------------------------|----------------|
| YoonSan Park / Team Leader | _____ |
| REVIEWED BY | |
| ByungJin Choi / Project Leader | _____ |
| PREPARED BY | |
| Yongduk Lee/ Engineer | _____ |

Product Specification

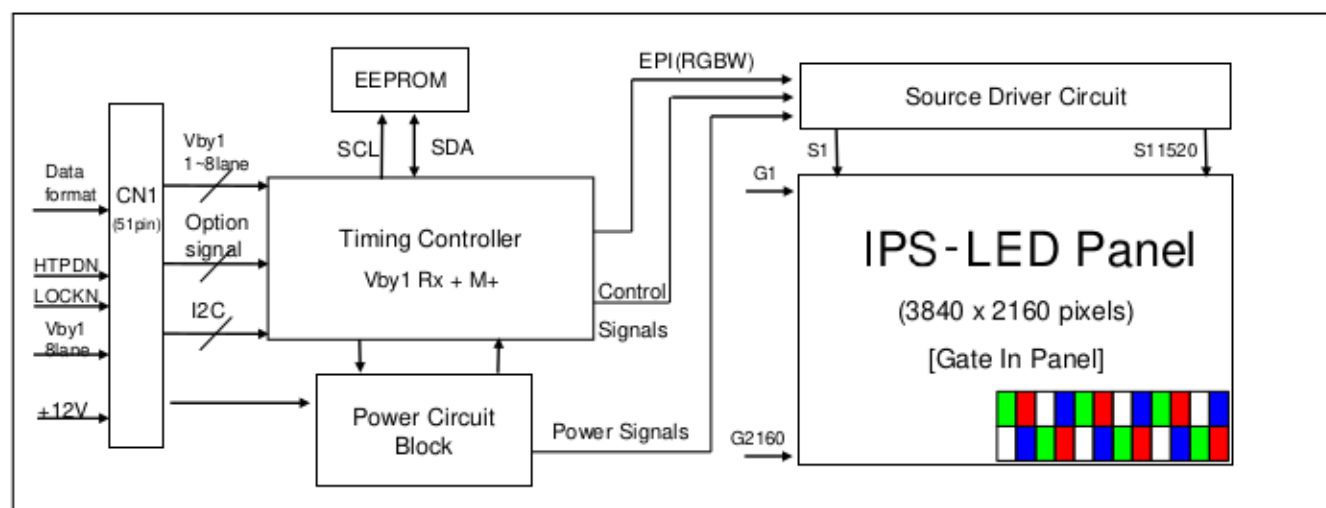
1. General Description

The LC550EGY is a Color Active Matrix Liquid Crystal Display with an integral the Source PCB and Gate implanted on Panel (GIP). The matrix employs a-Si Thin Film Transistor as the active element. It is a transmissive type display operating in the normally black mode. It has a 54.64 inch diagonally measured active display area with QWUXGA resolution (2160 vertical by 3840 horizontal pixel array). Sub-pixels are constructed with Red, Green, Blue and White. Each pixel is divided into RGB or WRG or BWR or GBW or dots which are arranged in vertical stripes. Gray scale or the luminance of the sub-pixel color is determined with a 10-bit gray scale signal for each dot.

Therefore, it can present a palette of more than 1.07 Billion colors.

It has been designed to apply the 10-bit 8 Lane VbyOne interface.

It is intended to support LCD TV, PCTV where high brightness, super wide viewing angle, high color gamut, high color depth and fast response time are important.



General Features

| | |
|--------------------------|--|
| Active Screen Size | 54.64 inches(1387.8mm) diagonal |
| Outline Dimension | 1221.4 (H) x 694.8 (V) x 1.2 (D) mm(Typ.) |
| Pixel Pitch | 0.315 mm x 0.315 mm |
| Pixel Format | 3840 horiz. by 2160 vert. Pixels |
| Color Depth | 10-bit(D), 1.07 Billion colors |
| Luminance, White | 2000 cd/m ² (Center 1point ,Typ.) , 4000:1 |
| Transmittance (With POL) | 8.16%(Typ) TBD |
| Viewing Angle (CR>10) | Viewing angle free (R/L 178 (Min.), U/D 178 (Min.)) |
| Weight | 13.8Kg (Typ.) |
| Display Mode | Transmissive mode, Normally black |
| Surface Treatment (Top) | Hard coating(2H), Anti-glare low reflection treatment of the front polarizer (Haze 3%(Typ.)) |